

# EP-S31-W-NB Mounting Bracket

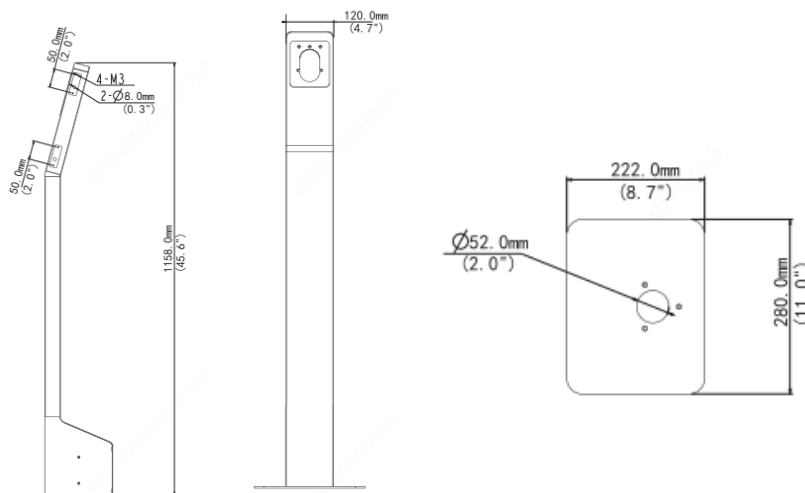
## Product Picture



## Product Specification

Features Parameter	Description
Material	Stainless Steel
Weight	6.85KG
Dimensions (L×W×H)	280mm×222mm×1158mm
Protection Level	IP 54
Application Situation	Outdoor, Indoor

## Product Dimensions



Optima Security Online

2527 Royal Ln Suite #135, Dallas, TX 75229, USA | Tel: (972) 481-1010 | Fax: (972) 481-1011 Email:

info@optimasecurityonline.com

Website: <http://www.optimasecurityonline.com>

© 2005 Optima Security Online. All rights reserved.

\*Product specifications and availability are subject to change without notice